

# VAL BIB C 6 CD

## VALUE Tap Range Lever Bib Taps Chrome With 6 Levers & Ceramic Disc Valves



### Specification

<b>Product Type:</b>	Taps
<b>Main Construction Material:</b>	Brass
<b>Mount Type:</b>	Wall Mounted
<b>Handle Type:</b>	Lever Handles (Image shows 3" handles)
<b>Connection Inlet:</b>	½" BSP
<b>Connection Outlet:</b>	N/A
<b>Number of Tap Holes:</b>	2
<b>Valve/Cartridge Type:</b>	Quarter Turn Ceramic Disc Valves
<b>Plumbing System Requirements:</b>	All - Ideally Balanced
<b>Working Pressure Range:</b>	Min. 0.2 Bar, Max 7.0 Bar
<b>Maximum Hot Water Temperature: °C</b>	60
<b>Maximum Static Pressure: (bar)</b>	10
<b>Flow Type:</b>	Single Flow

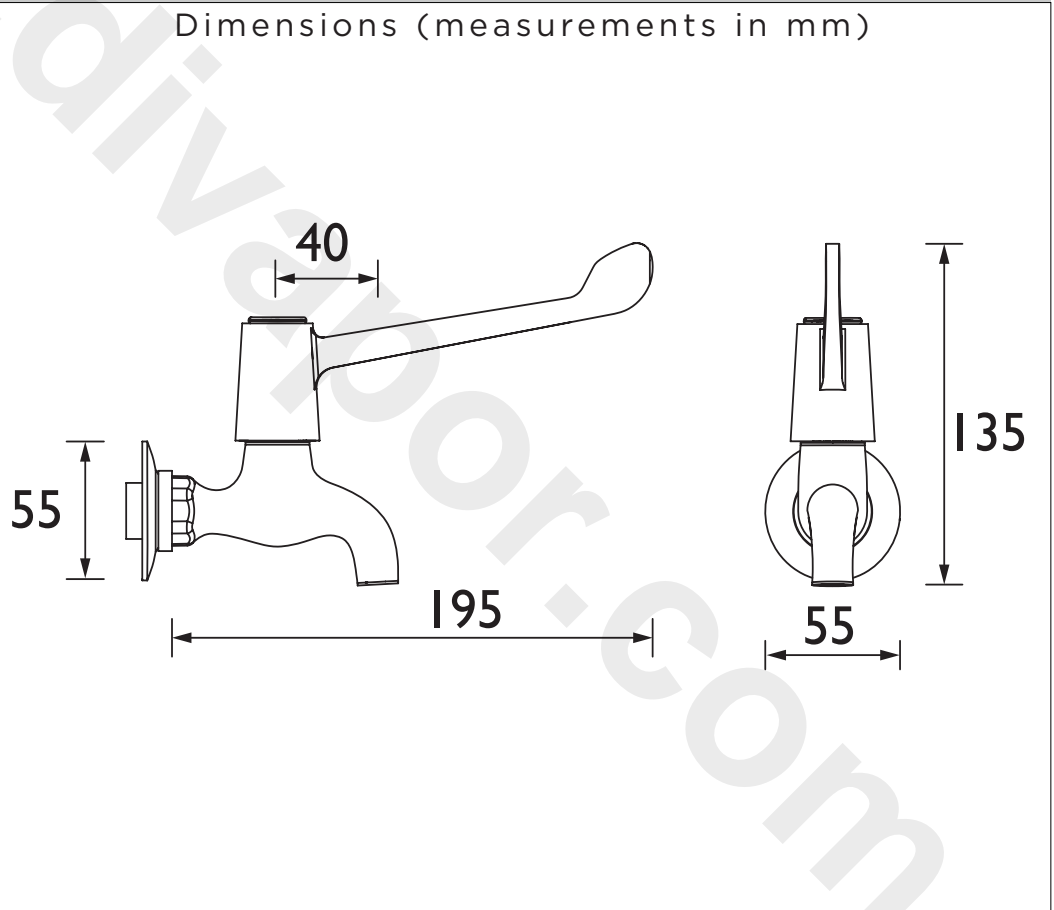
### Features:

- Long life and easy to use 1/4 turn ceramic disc valves
- Supplied with 6" (152mm) metal lever handles

### Product Certifications:



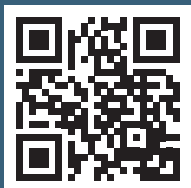
WRAS Cert. Number: 2003902  
WRAS Expiry Date: 31/03/2025



### Flow Rates (l/min)

System Pressure (bar)	0.2	0.5	1	2	3	5
VAL BIB C 6 CD	7.8	12.1	17	24.4	29.8	38.5

For more products, visit our website:  
<http://www.bristan.com>



TECHNICAL  
DATA  
SHEET



**BRISTAN**

D8